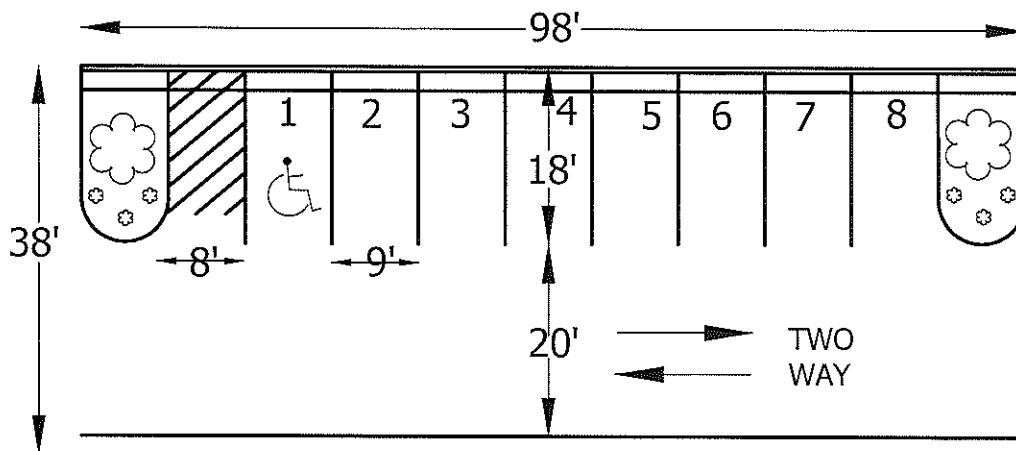
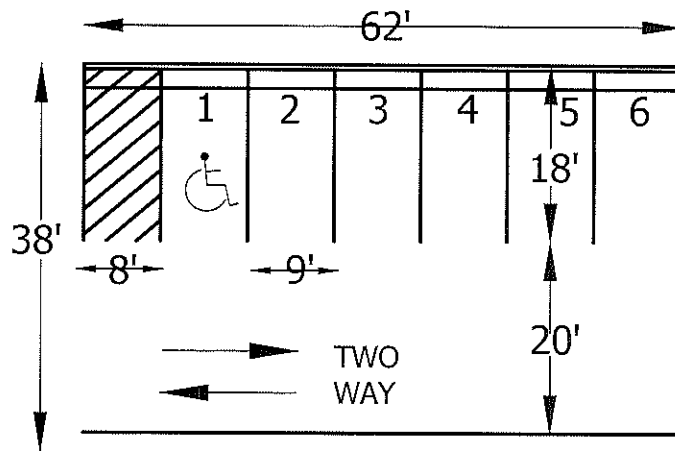


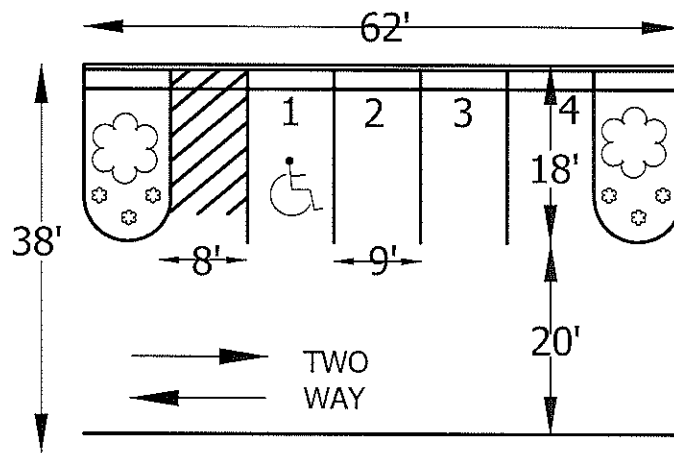
**Figure 1.** A parking lot with ten (10) 90-degree parking spaces if exempt from the Parking Lot Landscaping Requirements.



**Figure 2.** A parking lot of equivalent size to Figure 1, with two (2) landscaping islands as required by the Parking Lot Landscaping Requirements Section 10-3-30.1(5) and eight (8) 90-degree parking spaces.

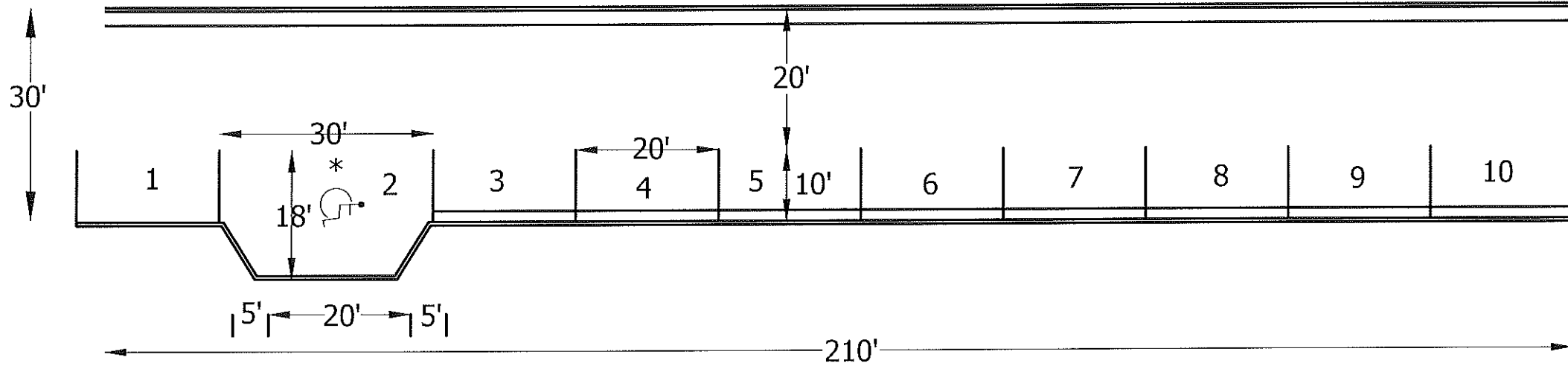


**Figure 3.** A parking lot with six (6) 90-degree parking spaces if exempt from the Parking Lot Landscaping Requirements.

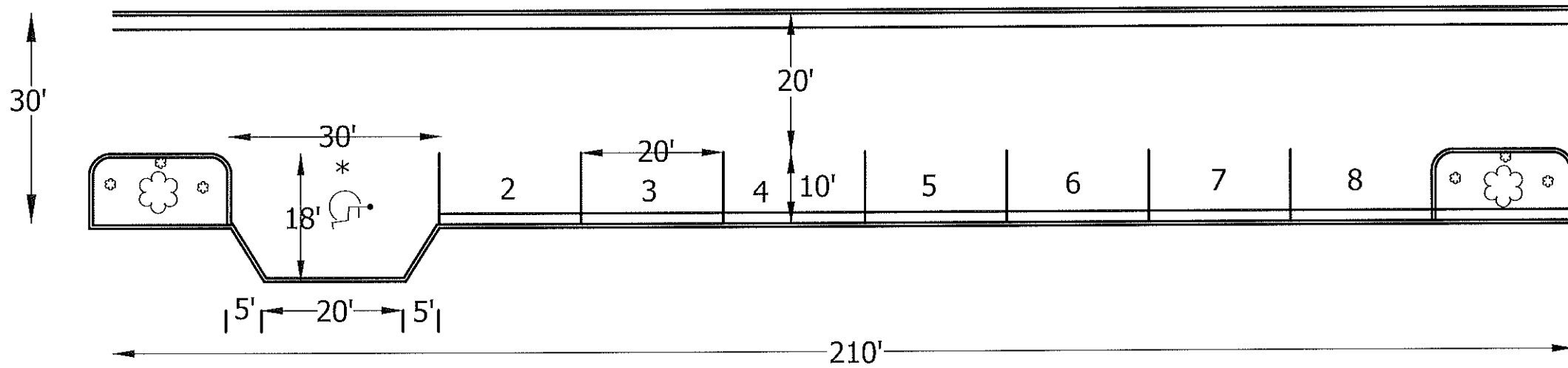


**Figure 4.** A parking lot of equivalent size to Figure 3, with two (2) landscaping islands as required by the Parking Lot Landscaping Requirements Section 10-3-30.1(5) and four (4) 90-degree parking spaces.

\*Note: The accessible parking spaces shown is conceptual only.  
Design will vary with specific site conditions.

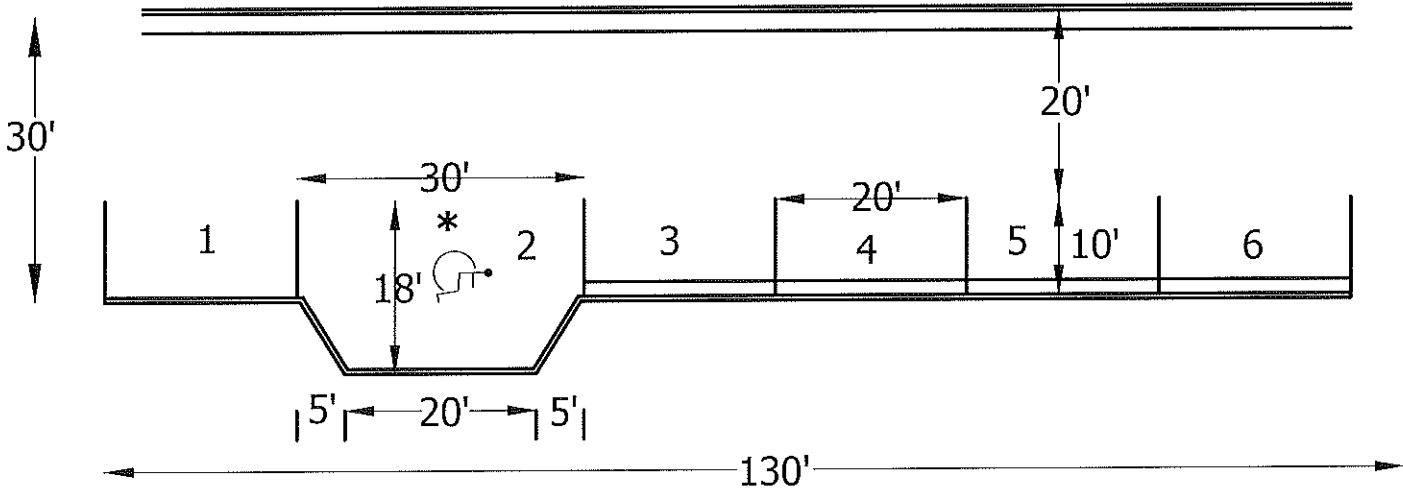


**Figure 5.** A parking lot with ten (10) parallel parking spaces if exempt from the Parking Lot Landscaping Requirements.

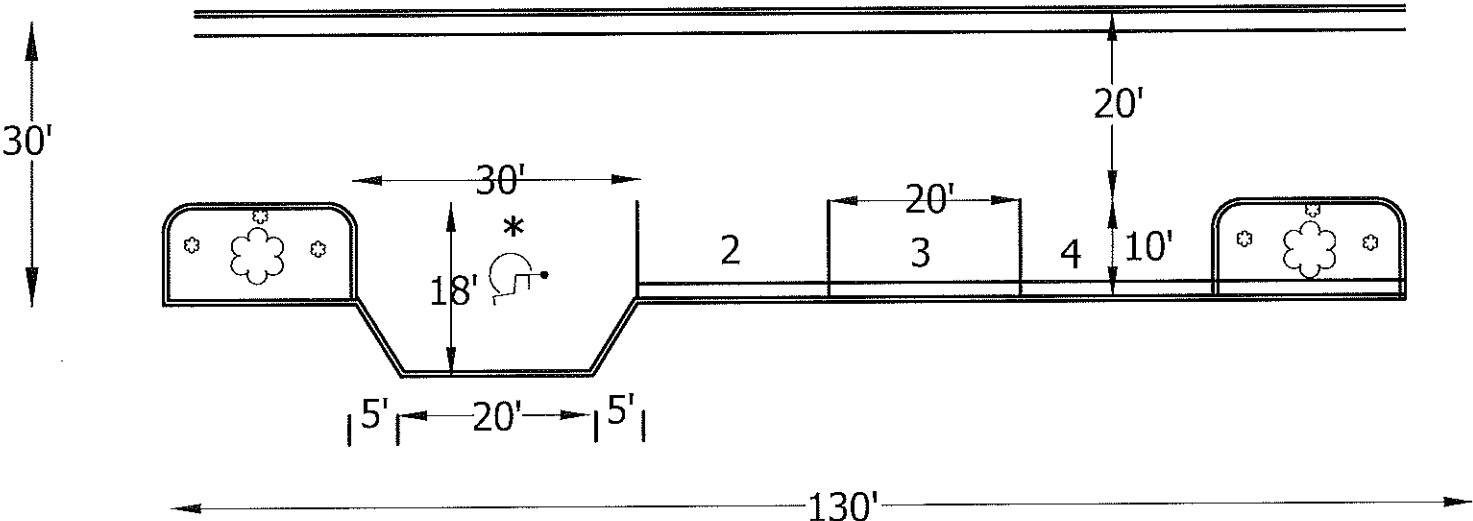


**Figure 6.** A parking lot of equivalent size to Figure 5, with two (2) landscaping islands as required by the Parking Lot Landscaping Requirements Section 10-3-30.1(5) and eight (8) parallel parking spaces.

\*Note: The accessible parking space shown is conceptual only. Design will vary with specific site conditions.



**Figure 7.** A parking lot with six (6) parallel parking spaces if exempt from the Parking Lot Landscaping Requirements.



**Figure 8.** A parking lot of equivalent size to Figure 7, with two (2) landscaping islands as required by the Parking Lot Landscaping Requirements Section 10-3-30.1(5) and four (4) parallel parking spaces.